



MASTER LEDbulbs

MAS LEDbulb DT 9-60W E27 A60 CL

The MASTER LEDbulb range delivers a dimmable glow effect for a welcoming, warm atmosphere, making it ideal for general lighting applications in the hospitality industry. Its unique design radiates warm light in all directions, making it a true alternative to incandescent lamps. They are particularly suitable for public areas such as lobbies, corridors, stairwells, where the light is always on. Compatible with existing fixtures with an E27 holder and designed for retrofit replacement of incandescent bulbs, MASTER LEDbulb delivers huge energy savings and minimizes maintenance cost without any compromise on light quality. They can be used together with most leading-edge dimmers, enabling further efficiencies while helping to create the desired atmosphere.

Product data

General Information		LLMF At End Of Nominal Lifetime (Nom)	
Cap-Base	E27 [E27]		70 %
Reddot Design Award Winner mark	Reddot Design Award Winner 2016	Operating and Electrical	
Nominal Lifetime (Nom)	25000 h	Input Frequency	50 to 60 Hz
Switching Cycle	50000X	Power (Rated) (Nom)	8.5 W
Technical Type	8.5-60W	Lamp Current (Nom)	45 mA
Light Technical		Wattage Equivalent	60 W
Color Code	822-827 [tunable warm white]	Starting Time (Nom)	0.5 s
Luminous Flux (Nom)	806 lm	Warm Up Time To 60% Light (Nom)	0.5 s
Luminous Flux (Rated) (Nom)	806 lm	Power Factor (Nom)	0.7
Color Designation	Warm White (WW)	Voltage (Nom)	220-240 V
Correlated Color Temperature (Nom)	2200-2700 K	Temperature	
Luminous Efficacy (rated) (Nom)	94.00 lm/W	T-Case Maximum (Nom)	110 °C
Color Consistency	<6		
Color Rendering Index (Nom)	80		

MASTER LEDbulbs

Controls and Dimming

Dimmable	Yes
----------	-----

Mechanical and Housing

Bulb Finish	Clear
-------------	-------

Approval and Application

Energy Saving Product	Yes
Suitable For Accent Lighting	No
Energy Efficiency Label (EEL)	A+
Energy Consumption kWh/1000 h	9 kWh

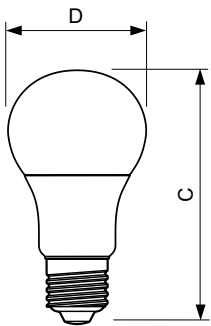
Product Data

Full product code	871869648132500
Order product name	MAS LEDbulb DT 9-60W E27 A60 CL
EAN/UPC - Product	8718696481325
Order code	929001150902
Numerator - Quantity Per Pack	1
Numerator - Packs per outer box	10
Material Nr. (12NC)	929001150902
Net Weight (Piece)	0.076 kg

Warnings and Safety

- Operating temperature range is between -20° C and 45° C ambient
- Only to apply in dry or damp locations and most of open fixtures with lamp-holders that offer sufficient space (10 mm free air space)
- Not intended for use with emergency light fixtures or exit lights

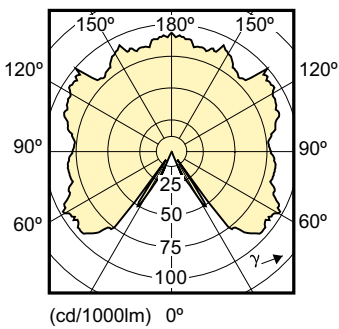
Dimensional drawing



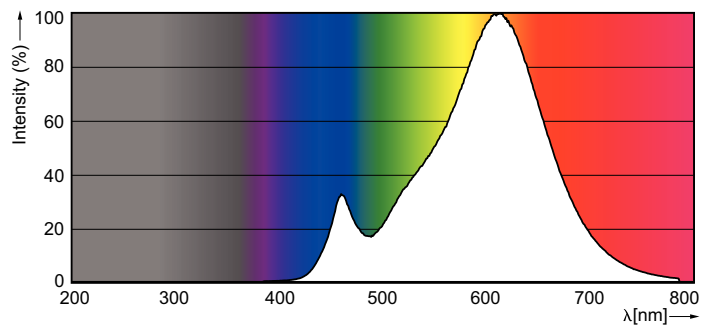
LED DT 9-60W E27 A60 CL

Product	D	C
MAS LEDbulb DT 9-60W E27 A60 CL	60 mm	110 mm

Photometric data



DT 9-60W A60 WW 2200-2700 K



DT 6-40W, 9-60W, ND 6.5-40W, 9.5-60W 2200-2700K A60 CL

MASTER LEDbulbs

