

DL CONVERT 70

Installation instructions

HALERS
RANGE

CONVERTER PLATE, CONVERTS MAXIMUM 150MM DIAMETER HOLE TO 70MM DIAMETER.

DIAGRAM 1

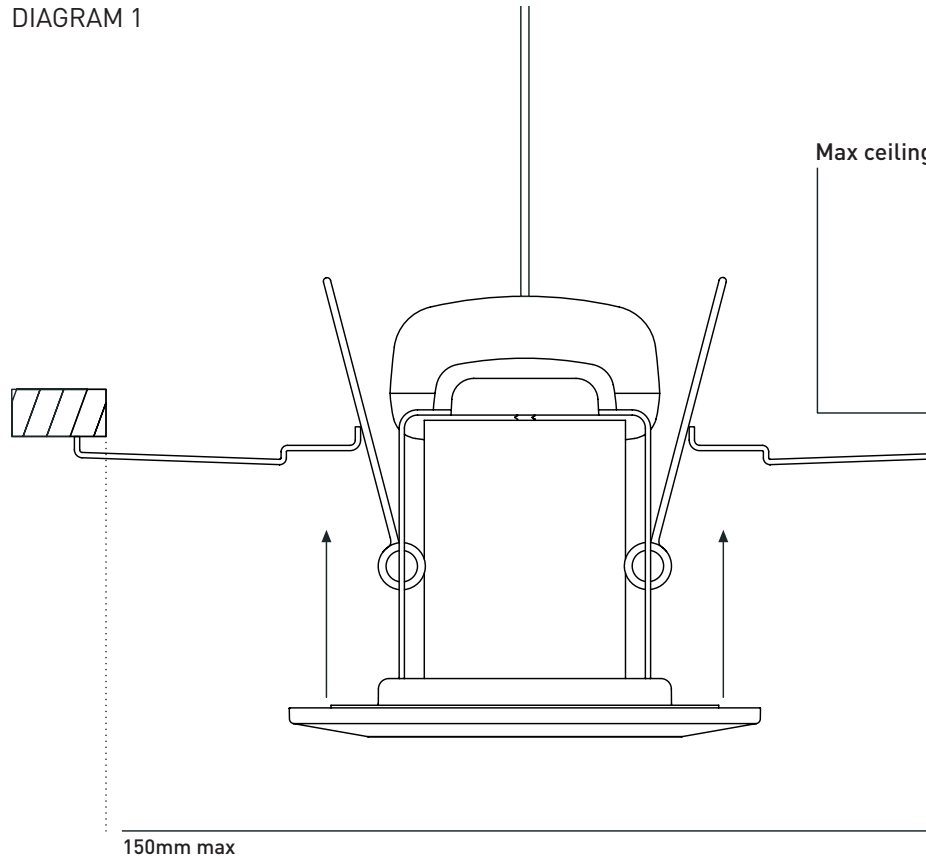
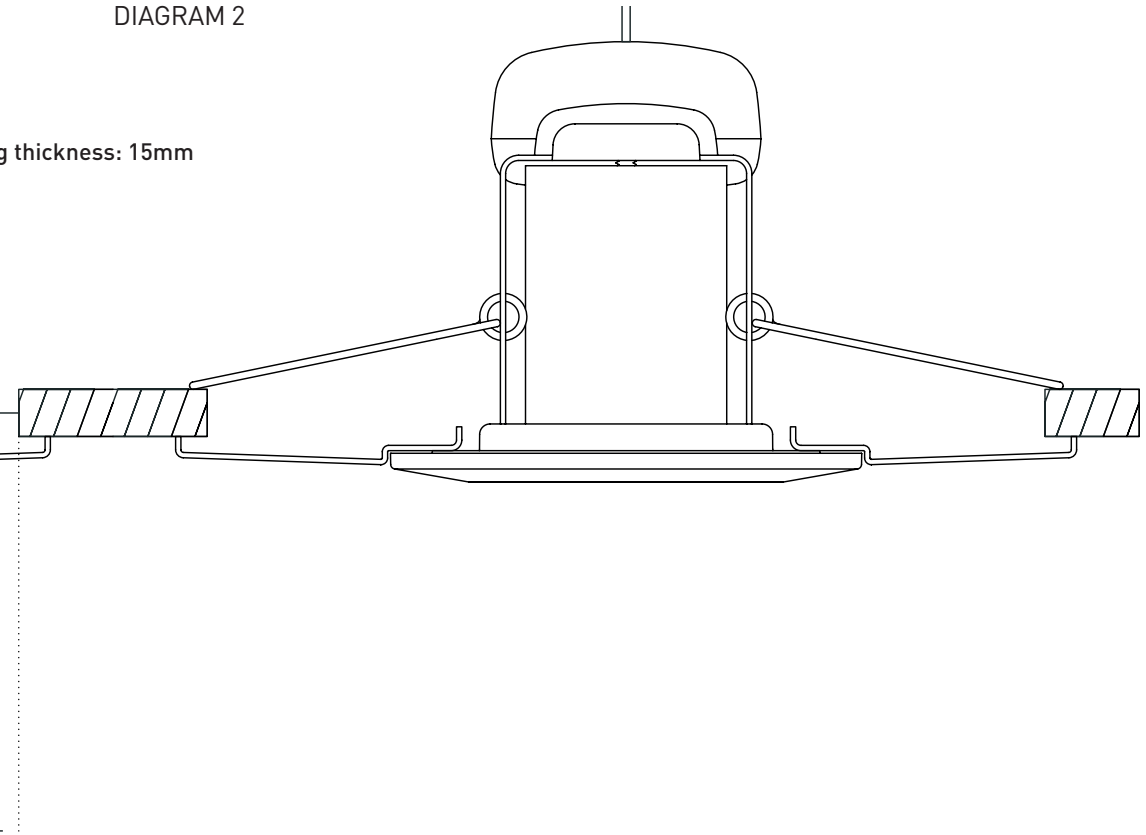


DIAGRAM 2

Max ceiling thickness: 15mm



INSTALLATION

1. Lift springs and insert downlight through converter hole.
NOTE - for HALERS H2 product, springs are fitted in position A (see HALERS H2 installation instruction).
2. Refer to downlight instructions and wire to mains supply
3. Partially pull out the downlight from the converter plate as in Diagram 1
4. Hold the converter plate against the ceiling as in Diagram 1
5. Push the down light back into the converter plate until it snaps into position as in Diagram 2.

