

NEBULA15™

JC95121

Commercial Downlight

Light source: Integral LED
 Total circuit Wattage: 15W
 Luminous flux: 1200 Lumens
 Efficacy: 80 LpcW
 Beam angle: 60°
 Colour temp: 3000K
 Ra: 80

JC95122

Commercial Downlight

Light source: Integral LED
 Total circuit Wattage: 15W
 Luminous flux: 1350 Lumens
 Efficacy: 90 LpcW
 Beam angle: 60°
 Colour temp: 4000K
 Ra: 80

Non-dimmable

220-240V~50/60Hz / Class II 

Fig.2.

LIVE = BROWN

NEUTRAL = BLUE



Double insulated- no earth required



BS EN ISO9001 - 2008
 Registered Firm Certificate No. GB 1552
 Drg No. JC95121-IS Issue: D - 31.05.16 - KB

Installation Sheet

Please read these instructions before installation and retain for future reference

Important Information


- It is recommended that luminaires are installed and fitted by a qualified electrician ensuring the installation complies with current IEE wiring regulations BS7671:2008 & local building control.
- These products are designed for connection to a 220-240V 50/60Hz supply.
- Any broken or damaged parts should be replaced as soon as possible.
- JCC will not accept responsibility for any claims arising from a poor installation.
- The light source of this luminaire is not replaceable: when the light source reaches its end of life, the whole of the luminaire must be replaced. The light source contained in this luminaire shall only be replaced by the manufacturer or his service agent or a similar qualified person.**
- The light source must be a minimum distance of 0.3m from a lit object.**

Important User Advice

- It is recommended that the ambient room temperature should not exceed 30°C.
- Ensure that there is adequate free air ventilation around the fitting.
- The installation must not infringe on water pipes or any other electrical services.
- It may be necessary to uprate your MCBs to allow for increased inrush current.
- Always switch off mains supply before fitting or servicing.
- This luminaire is suitable for indoor use only.

Installation

Check you have all the tools and accessories required to complete the installation correctly. Isolate the power before starting the installation.

- Cut the mounting hole in the ceiling, referring to Fig.1 for dimensions. (JCC recommends that a sample hole is cut in a section of spare material to familiarize yourself with the process).
- Ensure there is a minimum of 75mm space around the fitting. DO NOT COVER the fitting with insulation as indicated by this symbol  on the luminaire.
- Connect the mains supply to the luminaire as per Fig.2.
- Turn on the power supply to test the fitting. Once satisfied that the luminaire is functioning correctly, press the spring clips against the side of the luminaire and fit into the aperture.

NOTE: DO NOT carry out insulation tests with the luminaire connected to the circuit. There are no serviceable parts. If any of the components fail or become faulty, contact JCC Technical Support.

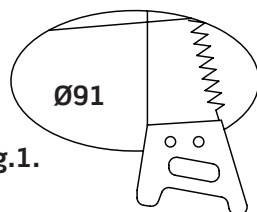
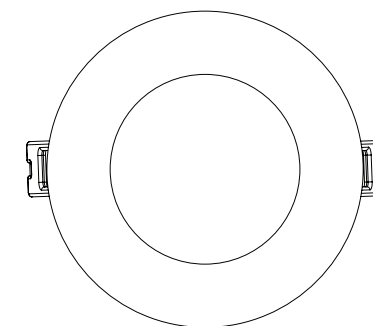
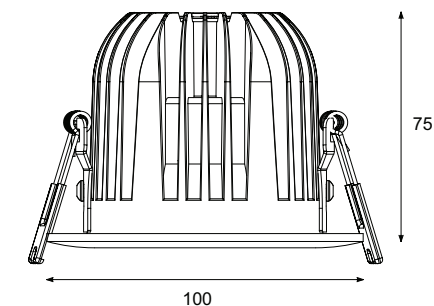


Fig.1.

jcc.co.uk

Profile & Dimensions



All dimensions in millimetres

5 year extended commercial warranty and 10 year domestic warranty.

To register please visit: jcc.co.uk/warranty

Prior to registration the installer is asked to provide the following information directly from the luminaire:

Product code:
 Batch number:

The approved electrical installer must give details of their Part P registration when installing products in domestic applications.