

JC99901BN

Hybrid9 Mains IP65 Dimmable 38° Beam 4000K Brushed Nickel



General Information

Product Group	Fire-rated downlights
Product Range	Hybrid
Range Name	Hybrid 9
Product Weight	0.475kg
Finishes available	Brushed nickel, chrome,white
Overall Dimensions	92 x 97 mm
Recommended product location	indoor use only
Method of fix	Spring clips
Cut Out Ø	Ø76mm
Ingress Protection (IP)	IP65

JCC Lighting

Innovation Centre, Beeding Close, Southern Cross
Trading Estate, Bognor Regis, West Sussex, PO22 9TS
Company Registration Number: 03044848 | VAT Number: 918544112
T: 01243 838999 | F: 01243 838998 | sales@jcc.co.uk | www.jcc.co.uk

Suitable For Zones	Zone 1
Distance from lighted object	0.3m
Origin of manufacture	PRC
Guarantee	5 year commercial, 10 year domestic (See Website for terms and conditions)
Luminaire module replacements	SPR99901BN/SPR99901CH/SPR99901WH/SPR99903BN/SPR99903CH/SPR99903WH

Electrical

Input Voltage (V)	220-240V~
Primary Running Current	0.03Amp
Operating Frequency Hz	50/60Hz
Luminaire Circuit Wattage	8.5W
Class	Class I
Total Harmonic Distortion (THD)%	2.07%
EMC Compliant (EN55015)	Yes
Power Factor Correction	0.98
Input Electrical Connections	LEN - Loop in/Loop out LEVLINK connector
Dimmable	Yes, trailing edge only

Emergency Data

Inverter PFC	0.878
---------------------	-------

Thermals

Room Ambient Temperature not to exceed	26°C
Room Ambient Temperature	25°C
Insulation Coverage	Loosely cover with mineral wool insulation
Minimum Free Air Space	At least 75mm around fitting

JCC Lighting

Innovation Centre, Beeding Close, Southern Cross
Trading Estate, Bognor Regis, West Sussex, PO22 9TS
Company Registration Number: 03044848 | VAT Number: 918544112
T: 01243 838999 | F: 01243 838998 | sales@jcc.co.uk | www.jcc.co.uk

Performance Data

Lumen Output	725 lumens
Lumens Per Circuit Watt	85 Lpcw
LED Life (Hours)	50,000
CRI: Ra	80
Colour Temperature (K)	4000K
LOR (Light Output Ratio) %	100%
Photometry Available	Yes

Construction

Main Chassis	Pressed steel
Diffuser	Polycarbonate
Lens	38° beam
Heat Sink	Aluminium
Rim or Attachment	Die-cast aluminium

Packaging

Luminaire Carton Dimensions	102 x 110 x 100 mm
Quantity Per Outer Carton	20
Bar Code EAN Number	5052544053900
Packaged Weight	0.6kg

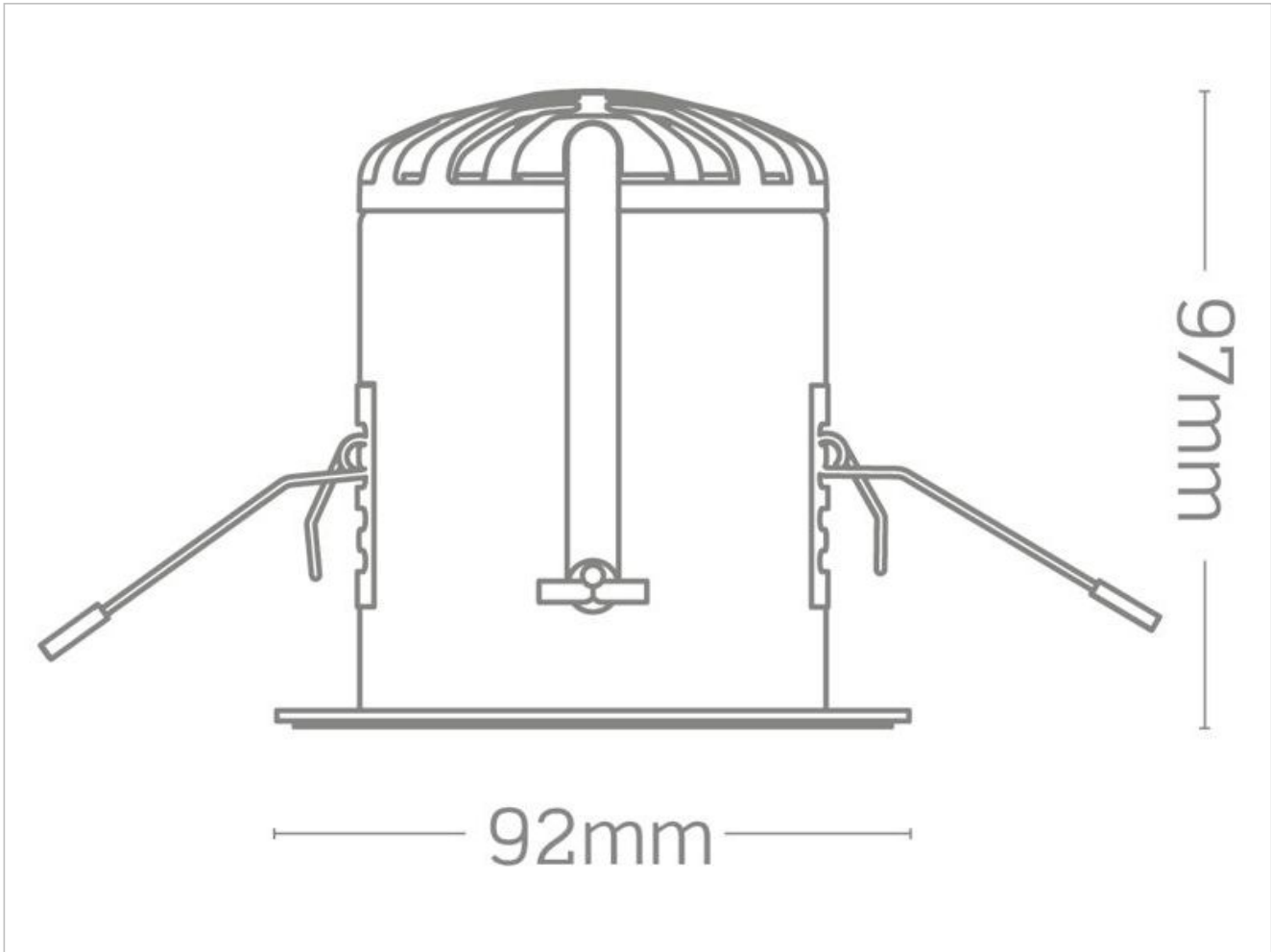
Standards & Approvals

Manufactured in accordance to	BS EN 60598-2-1, 2-2
CE Marked	Yes
Batch Coded	yes

JCC Lighting

Innovation Centre, Beeding Close, Southern Cross
Trading Estate, Bognor Regis, West Sussex, PO22 9TS
Company Registration Number: 03044848 | VAT Number: 918544112
T: 01243 838999 | F: 01243 838998 | sales@jcc.co.uk | www.jcc.co.uk

WEEE symbol	yes
Certificate Of Conformity	Available on request
Accredited Members	LIA, ISO9001:2008, ISO14001:2004



Datasheet generated from <http://www.electrika.cloud> on 15 February 2017 09:31:18