



MASTER LEDspot LV

MAS LED spot VLE D 5.5-35W MR16 840 36D

Delivering a warm, halogen-like accent beam, MASTER LEDspot LV is an ideal retrofit solution for spot and general lighting applications in the hospitality industry. It is particularly suited to public areas such as receptions, lobbies, corridors, stairwells and washrooms, where the light is on all the time. The robustly designed MASTER LEDspot offers a choice of beam angles for a clearly defined beam spread. There is no UV or IR in the beam, making it suitable for illuminating heat-sensitive objects (food, organic materials, paintings, etc.). The patented intelligent driver enables broad compatibility with existing electromagnetic and electronic halogen transformers. The dimmable versions drive further efficiencies, while helping to create the desired atmosphere.

Product data

General Information			
Cap base	GU5.3 [GU5.3]	Color rendering index (nom.)	80
Nominal lifetime (nom.)	25000 h	LLMF at end of nominal lifetime (nom.)	70 %
Switching cycle	50000X	Luminous Flux In 90° Cone (Rated)	490 lm
Technical type	5.5-35W		
Light Technical		Operating and Electrical	
Colour code	840 [CCT of 4000K (841)]	Power (Rated) (Nom)	5.5 W
Beam Angle (Nom)	36 °	Lamp current (nom.)	630 mA
Luminous flux (nom.)	490 lm	Wattage equivalent	35 W
Luminous flux (rated) (nom.)	490 lm	Starting time (nom.)	0.5 s
Luminous intensity (nom.)	1100 cd	Warm-up time to 60% light (nom.)	0.5 s
Colour designation	Cool White (CW)	Power factor (nom.)	0.8
Rated beam angle	36 °	Voltage (Nom)	ac Electronic 12 V
Correlated colour temperature (nom.)	4000 K	Temperature	
Luminous efficacy (rated) (nom.)	89.09 lm/W	T-Case maximum (nom.)	95 °C
Colour consistency	<6		

MASTER LEDspot LV

Controls and Dimming

Dimmable	Yes
----------	-----

Approval and Application

Suitable for accent lighting	Yes
------------------------------	-----

Energy efficiency label (EEL)	A+
-------------------------------	----

Energy Consumption kWh/1000 h	7 kWh
-------------------------------	-------

Product Data

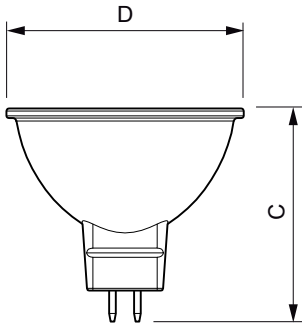
Full product code	871869670827900
-------------------	-----------------

Order product name	MAS LED spot VLE D 5.5-35W MR16 840 36D
EAN/UPC – product	8718696708279
Order code	70827900
Numerator – quantity per pack	1
Numerator – packs per outer box	10
Material no. (12NC)	929001326102
Net weight (piece)	0.045 kg

Warnings and Safety

- Operating temperature range is between -20° C and 45° C ambient
- Only to apply in dry or damp locations and most of open fixtures with lamp-holders that offer sufficient space (10 mm free air space)
- Not intended for use with emergency light fixtures or exit lights

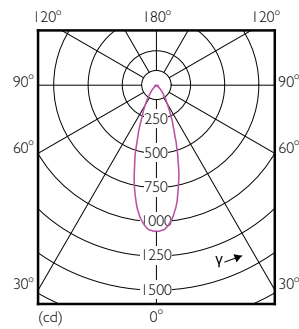
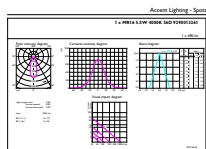
Dimensional drawing



MR16 12V 5W-35W 410lm 36D 4000K GU5.3 D

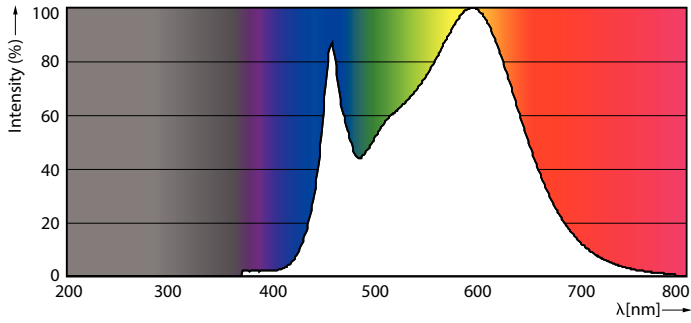
Product	D	C
MAS LED spot VLE D 5.5-35W MR16 840 36D	50.5 mm	45 mm

Photometric data



MASTER LEDspot LV

Photometric data



Lifetime

